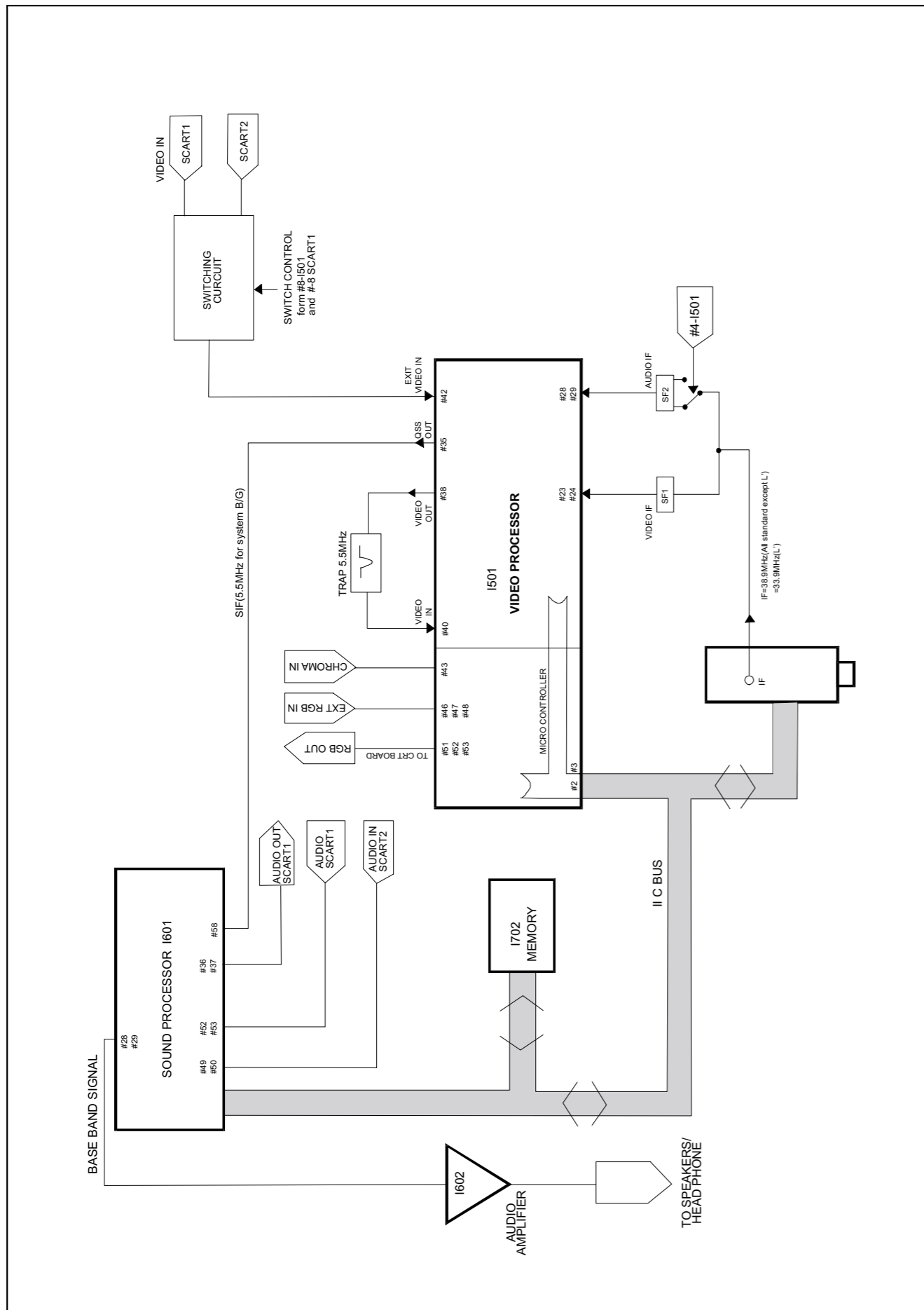


BLOCK DIAGRAM



**AV-21BD5EKI / AV-21BD5EP / AV-21BD5EE
 AV-21BD5EKIS / AV-21BD5EPS / AV-21BD5EES**

STANDARD CIRCUIT DIAGRAM

NOTE :

1. RESISTANCE IS SHOWN IN OHM. K=1000, M=1000000
2. UNLESS OTHERWISE NOTED IN SCHEMATIC ALL CAPACITOR VALUES ARE EXPRESSED IN μF
3. VOLTAGES READ WITH "VTVM" FROM POINT INDICATED TO CHASSIS GROUND USING A COLOR BAR SIGNAL WITH ALL CONTROLS AT NORMAL LINE 230V AC VOLTAGE READINGS SHOWN ARE NORMAL VALUES AND MAY VARY +20% EXCEPT H.V
4. THIS CIRCUIT DIAGRAM IS A STANDARD ONE CIRCUIT PRINTED MAY BE SUBJECT TO CHANGE FOR PRODUCT IMPROVEMENT WITHOUT PRIOR NOTICE.

WARNING :

BEFORE SERVICING THE CHASSIS, READ "X-RAY RADIATION", "SAFETY PRECAUTION", AND "PRODUCT SAFETY NOTICE" IN SERVICE MANUAL.

PRODUCT SAFETY NOTE :

COMPONENTS MARKED WITH Δ ARE IMPORTANT FOR MAINTAINING. THE SAFETY OF THE SET AND SHOULD BE REPLACED ONLY WITH TYPES IDENTICAL TO THOSE IN THE ORIGINAL OR SPECIFIED ONE IN THE PARTS LIST. DON'T DEGRADE THE SAFETY THROUGH IMPROPER SERVICING.

CAUTION TO SERVICE TECHNICIANS :

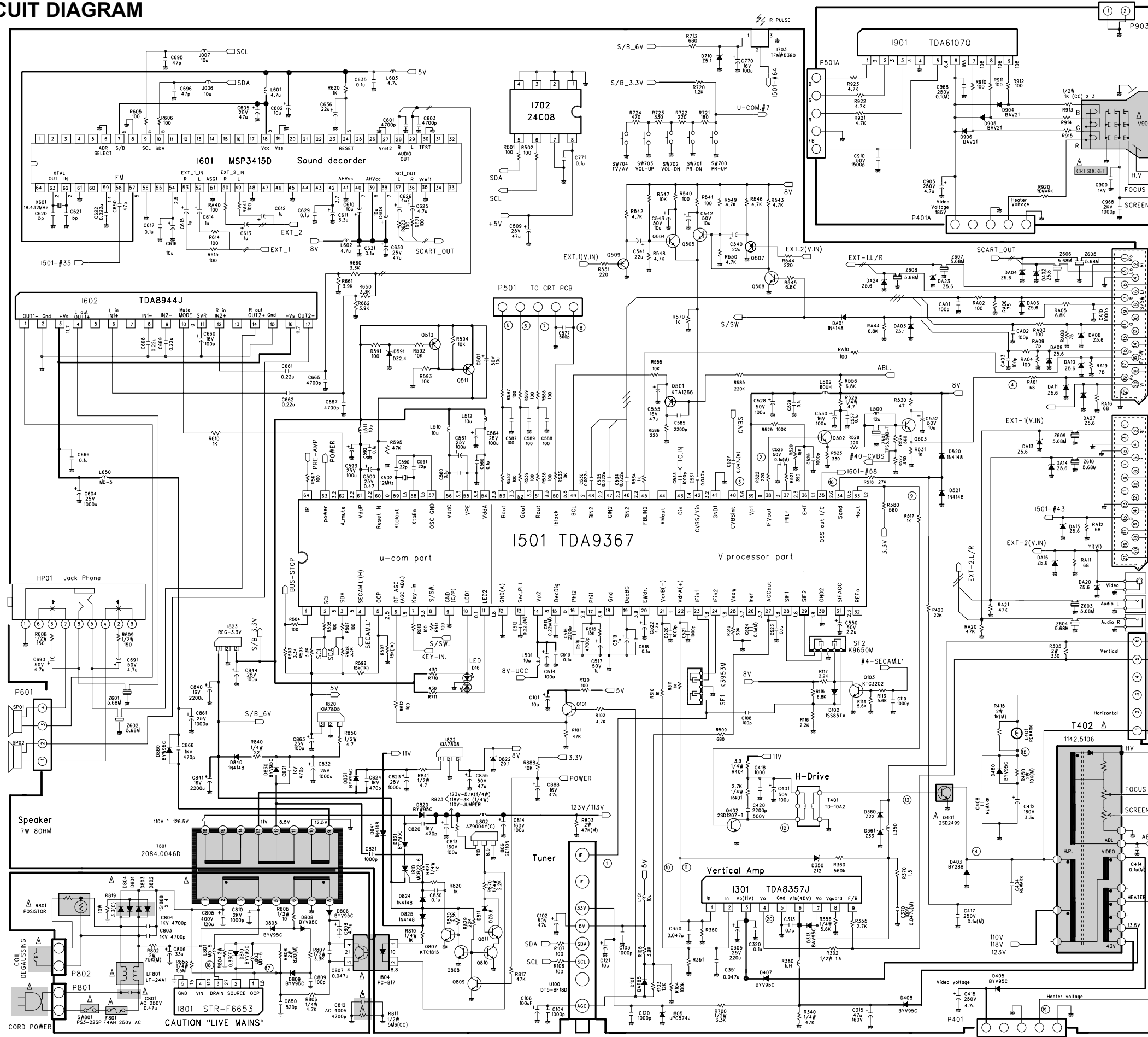
BEFORE RETURNING THE RECEIVER TO CUSTOMER, LEAKAGE CURRENT OR RESISTANCE MEASUREMENTS SHOULD BE PERFORMED TO DETERMINE THAT EXPOSED PARTS ARE PROPERLY INSULATED FROM THE SUPPLY CIRCUIT.

RESISTOR		CAPACITOR		COIL	
CARBON FILM	$\sim\sim\sim$	ELECTRO	$\pm\text{I}\text{E}$	PEAKING	$\sim\sim$
R M-OXIDE	$\sim\sim\sim$ (M)	CERAMIC	$\pm\text{I}$	CHOKE	$\sim\sim$ (C)
CARBON COMP	$\sim\sim\sim$ (CC)	CERAMIC CH	$\pm\text{I}$ (CH)	BEAD	$\sim\sim$ (B)
FUSIBLE	$\sim\sim\sim$ (F)	ELECTRO NONPOLAR	II (NP)		
CEMENT	$\sim\sim\sim$ (C)	MYLAR	$\pm\text{I}$ (M)		

CONTENTS

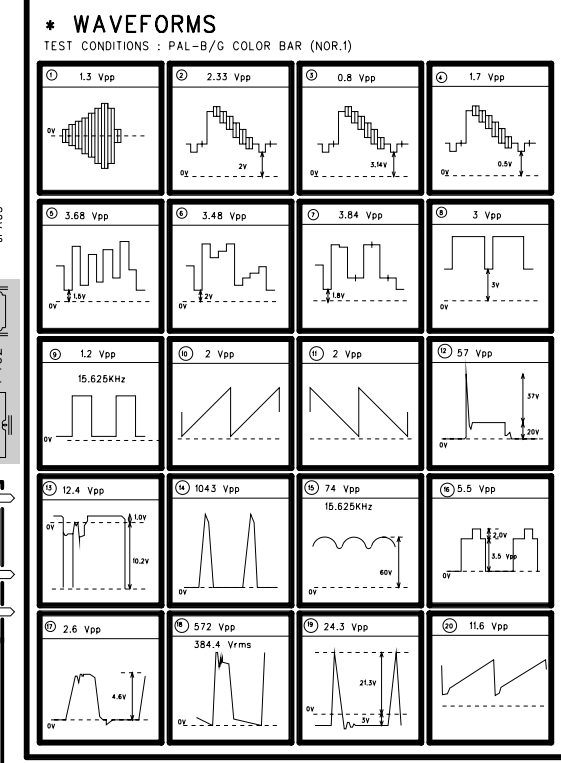
■ BLOCK DIAGRAM 2-2
■ CIRCUIT DIAGRAM 2-3
■ PATTERN DIAGRAMS 2-7

CIRCUIT DIAGRAM



THE DIFFERENT PARTS FOR CRT

LOC.	21 INCH LG	21 INCH PHILIPS	21 INCH 1/P
V901	A510AE320X97	A51EAL155X01	A51EVB13X09
SE11	PS3629-93C		
C404	1.6KV 8200pF	1.6KV 8200pF	1.6KV 7500pF
C408	200V 0.27 (M)	200V 0.36 (M)	200V 0.27 (M)
L401	L76	L102	TR1341G
R500	2K	2K(1x)	1.5K (1x)
R501	2K	2K(1x)	1.5K (1x)
R556	6.8K		
R823	6.2K	3K	5.1K
R920	1W 1 JA (F)		1W 1 JA (F)

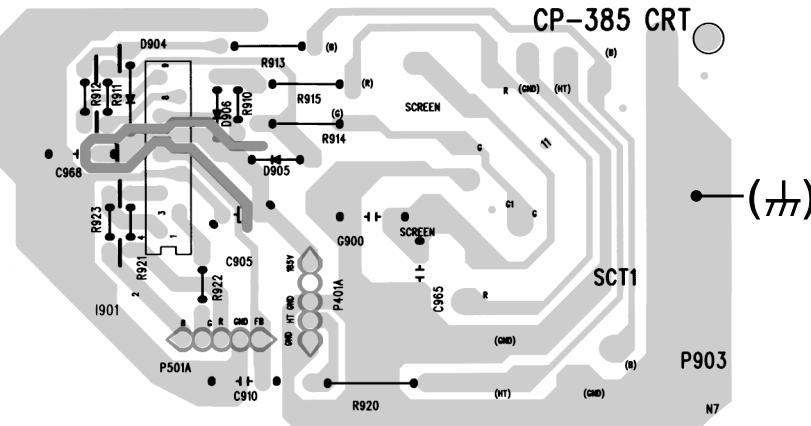
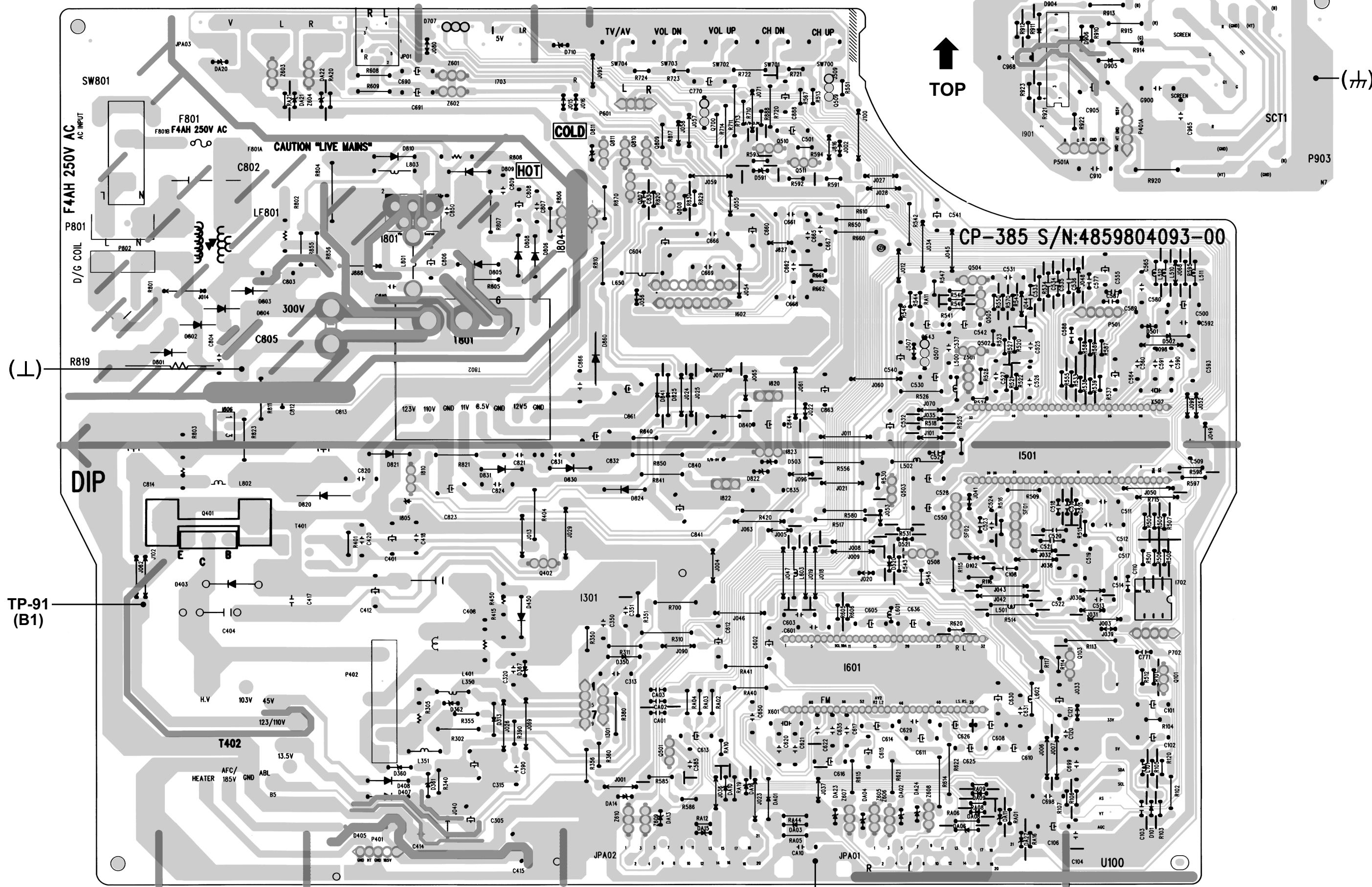


PATTERN DIAGRAMS

FRONT

CRT SOCKET PWB PATTERN

TOP



CP-385 S/N:4859804093-00